

## OTDR Launch Boxes

A launch box is required when testing fiber optic cable using an OTDR. The launch box when connected to the OTDR will minimize the effects of launch pulse and aid with measurement uncertainty.

**Applications:**

- OTDR pulse suppression
- Product demonstration
- Training
- Equipment Calibration

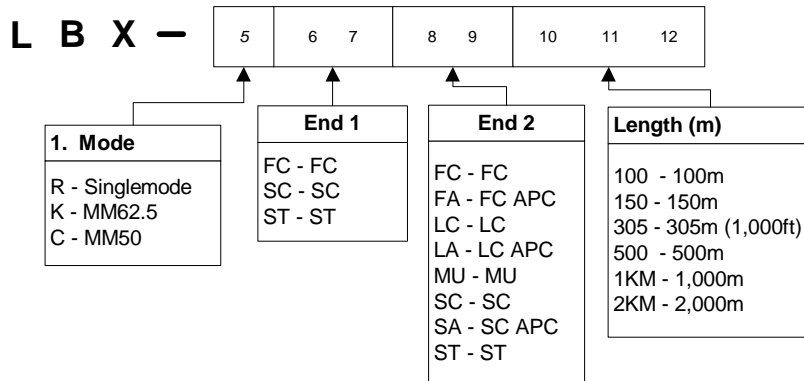
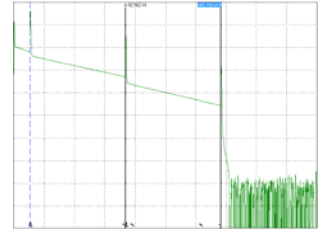
**Features:**

- Rugged case is watertight, airtight, dustproof, crushproof
- Premium Corning connectors and Corning fiber
- 100% visual, endface geometry and optical performance tested
- Certification test reports
- Made in USA

**Specifications:**

- Standard leg length 2 meters (6.6 ft)
- Radium of curvature 10 to 30 mm
- Apex offset < 50um
- Fiber Height -50 to + 50 nm
- Insertion Loss(dB) Singlemode 0.25, Multimode 0.35
- Back Reflection (dB) Singlemode -55 UPC / -65 APC, Multimode <= -25 PC

**Ordering Information:**



We also offer launch box refurbishment. Contact us to refurbish and certify.